

Medium Section Spring Washer

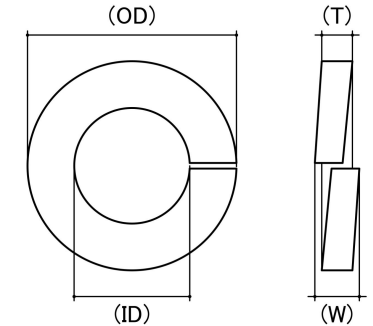
Material: Stainless Steel

Class Grade: A4-70 G316

Corrosion Protection Level: Ultimate

Standard: ANSI B18.21.1

System Of Measurement: Imperial



*CAD drawings shown for graphic representation only.**

Industry Size (mm)	Inside Dimension (ID) (mm)		Outside Dimension (OD) (mm)	Width (W) (mm)	Thickness (T) (mm)	sku (qfind)
	Min	Max	Nom	Nom	Nom	
1/8	3.10	3.40	6.00	1.19	0.80	71PS18M
3.50	3.58	3.75	6.35	1.19	0.80	71PS6GM
5/32	4.10	4.50	7.55	1.40	1.20	71PS532M
4.80	4.90	5.08	9.00	1.57	1.20	71PS10GM
3/16 (#10-24)	4.90	5.08	9.00	1.57	1.20	71PS316M
1/4	6.10	6.70	12.00	2.77	1.60	71PS14M
5/16	8.00	8.50	15.00	3.17	2.00	71PS516M
3/8	9.57	9.78	17.50	3.58	2.40	71PS38M
7/16	11.30	-	20.00	3.96	4.00	71PS716M
1/2	12.20	13.00	22.00	4.34	3.20	71PS12M
9/16	14.20	14.70	23.30	4.50	2.95	71PS916M
5/8	15.95	16.28	27.00	5.17	4.00	71PS58M
3/4	19.12	19.45	32.00	5.94	4.75	71PS34M
7/8	22.30	24.00	37.00	6.75	5.50	71PS78M

Industry Size (mm)	Inside Dimension (ID) (mm)		Outside Dimension (OD) (mm)	Width (W) (mm)	Thickness (T) (mm)	sku (qfind)
	Min	Max	Nom	Nom	Nom	
1	24.50	26.50	42.00	7.54	6.35	71PS1M
1-1/8	27.50	29.50	48.00	8.33	7.15	71PS118M
1-1/4	31.85	32.52	51.00	9.11	8.00	71PS114M
1-1/2	36.50	38.50	63.00	10.72	9.50	71PS112M

Disclaimer:

Dimensional data and technical information was obtained from publically available sources and not acquired through standard agencies. It has been completed and compiled for reference purposes only; where discrepancies are found they are subject to change without notice. Bolt & Nut Australia makes no warranties or representations regarding the accuracy and validity of the compiled information and data. Contact the relevant standard authorities for accurate and detailed information.

* CAD drawings may not reflect diameter, thread length or overall length.

© Bolt & Nut Australia Pty Ltd. All rights reserved.

Version: 18 Mar 2024